

Expander Laser, red, 650 nm, 2 mW

E650-2-3(24x96)APT20
Order Number: 70102437

Main Parameters (*)	min	typ	max	Unit
Wavelength		650		nm
Optical Output Power		2		mW
Operating Voltage	2.7	3	3.3	V DC
Operating Current	15	30	45	mA
Operating Temperature	-20		50	°C
Storage Temperature	-40		80	°C

Main Data

Warranty 1 years

Technical Parameters

Lifetime > 5,000 h
RoHS yes

Optical Parameters

Beam Shape expander
Laser Class 3R
Operating Distance 20 m
Optics glass lens AR coated
Laser technology diode
Focus adjustable

Electrical Parameters

Potential of Housing isolated
Power Supply LFNT-3

Mechanical Parameters

Size Ø24x96 mm
Material aluminium
Cable length 100 mm
Wire type 26AWG, 0,14mm²
Output Aperture 20 mm
Weight 75 g

(*) Over the complete operating temperature range

Features



- Operating Voltage 3 V DC
- Image processing
- Compact size
- Adjustable focus
- Glas lenses anti reflex coated

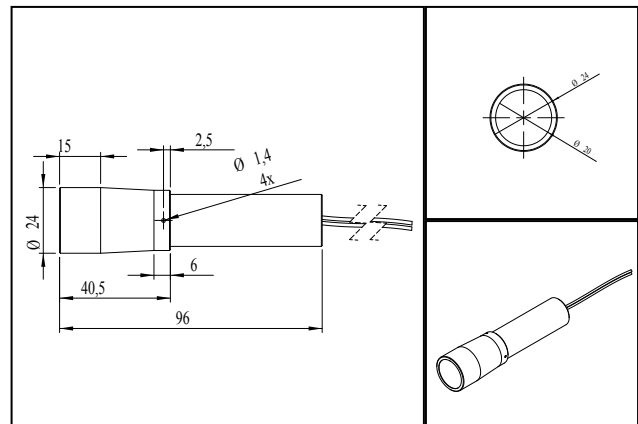
Picture



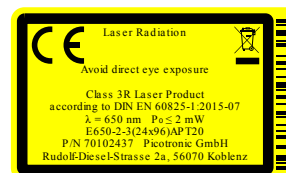
Cable color

Ground		black	GND
positive		red	2.7 - 3.3, typ 3 V DC

Drawing



Safety Label



Valid Revision

3 | 25-MAY-2020